



The OSZ weld heads were developed for welding larger pipe diameters with a thinner wall thickness, with or without wire feed, with a gas-cooled or water-cooled torch hose.

Special design feature: Enclosed gear ring system

WELD HEAD OSZ

Weld head type:	Tube Size Range mm	inch	Weight
OSZ 275	OD 88.9 – 273mm	3.500" – 9.331"	16kg
OSZ 325	OD 168.3 – 323.9mm	6.626" – 12.750"	18kg

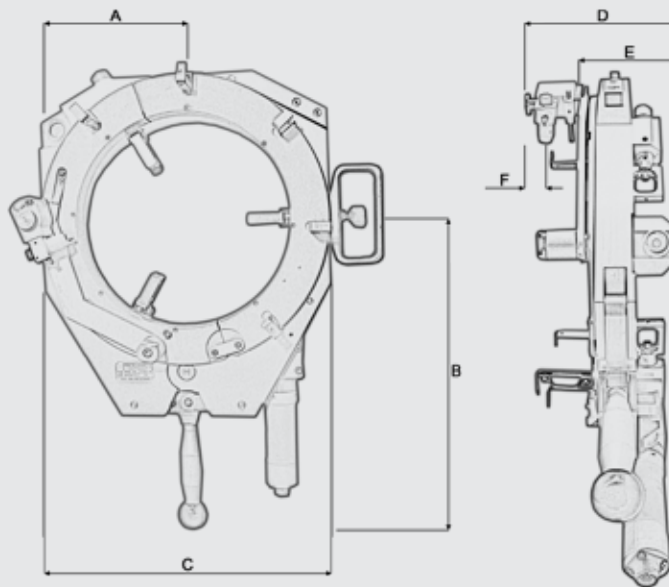
1.2.1401

1.2.1501

Package includes:

- Weld head
- Clamp 'shoes'
- Standard OSZ torch bracket
- Mechanical arc gap adjusting screw

Dimension Sheet OSZ 325 Open-frame Orbital Weld Heads



Weld head OSZ 275	A	B	C	D	E	F
mm	220	420	380	150	78	19(12)
inch	8.661	16.535	14.961	5.905	3.071	0.748 (0.472)

Weld head OSZ 325	A	B	C	D	E	F
mm	255	450	450	150	78	19(12)
inch	10.039	17.717	17.717	5.906	3.071	0.748 (0.472)